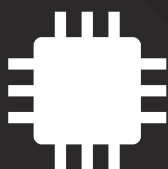


# INDIA'S FIRST AUTO CHLORINATOR WITH CHLORINE SENSOR

ppm  


DIRECT ppm VALUE ON  
DISPLAY



LOADED WITH  
FUZZY LOGIC



16X2 DUAL LIGHT  
LCD DISPLAY



NON-TACTILE  
KEYPAD



SUITABLE FOR  
CHLORINATION/  
DECHLORINATION



**@dose Chloro<sup>+</sup>**  
Electronic Metering Pump

## TECHNICAL SPECIFICATIONS

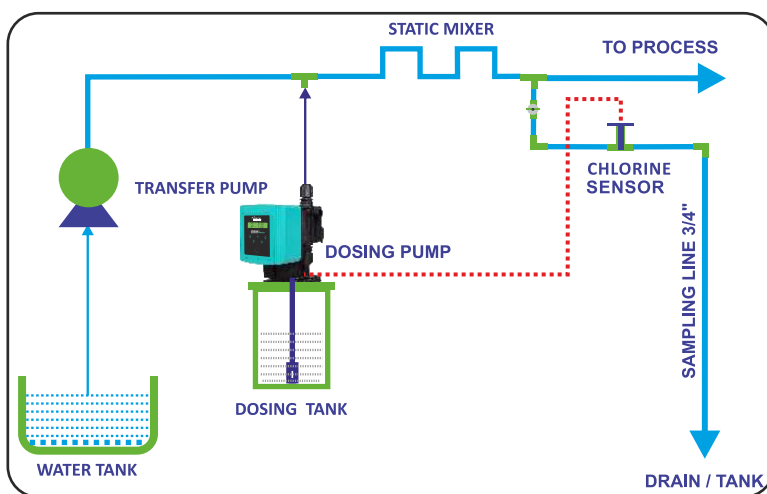
### CHLORINE SENSOR

Measurement Range	: 0-5 ppm
Operating Pressure	: 0-1 bar
Output	: 4-20 mA
Power Supply	: 09-30 V DC (Recommended 12V)
Cable Length	: 5 meters

### FEATURES

- Automatically compensate for the change in feed chlorine
- With Fuzzy Logic-Most accurate and stable controller
- Level switch interlock
- RS485 Output (Optional)
- Built in ARV with separate discharge point to prevent chemical spillage
- Remote monitoring with modem (Optional)

### SCHEMATIC



### DOSING PUMP

Electrical	: 230 V AC (+/- 10% ) 50 HZ
Suction Tubing	: 4/6 mm
Discharge Tubing	: 4/6 mm
Dosing Rate	: 6/10 LPH @ 4 Kg/cm <sup>2</sup>
Wetted Parts	: PP

### SCOPE OF SUPPLY

- Dosing Pump
- 3 Meter Suction and Discharge Tubing
- Suction Filter Cum Foot Valve
- Injection Valve Assembly
- Chlorine Sensor
- Flow Cell
- Electrolyte and Membrane Cap

### SENSOR AND FLOW CELL

