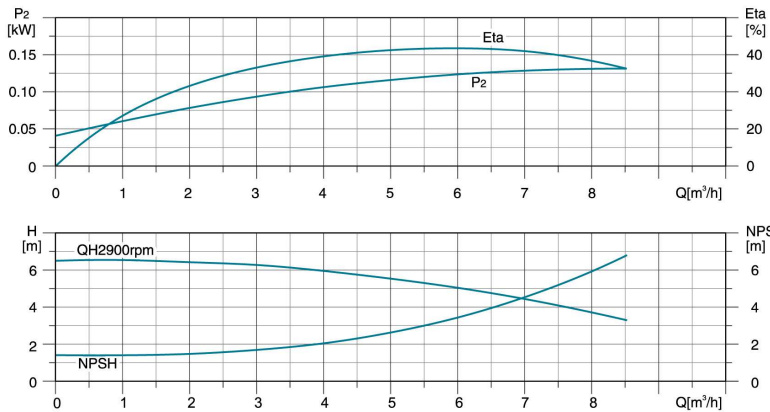
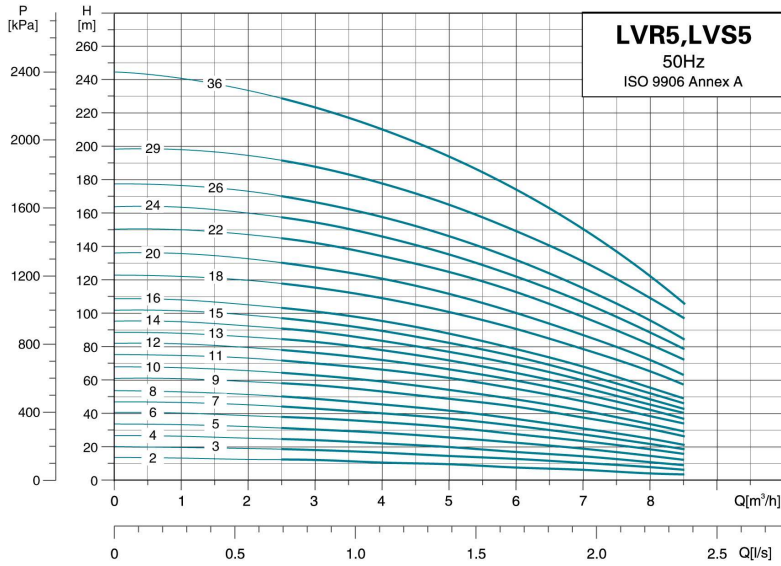
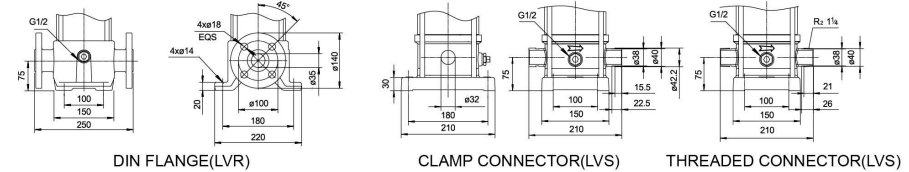
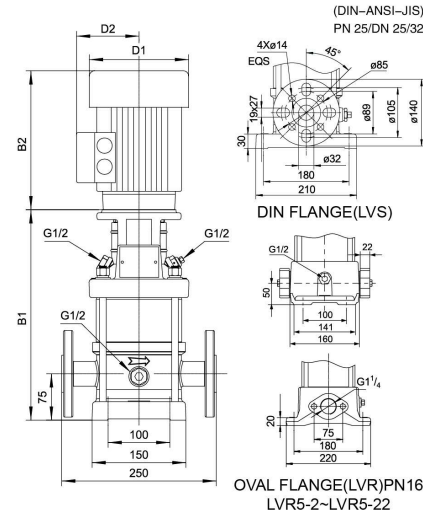


Hydraulic Performance Curves



Dimension Drawing



MODEL	OVAL FLANGE (LVR)		DIN FLANGE (LVR, LVS)		D1	D2	N.W. (kgs)	Motor Mounting Code
	B1	B1+B2	B1	B1+B2				
5-2	256	470	282	496	130	105	20.9	V18
5-3	283	497	309	523	130	105	21.8	
5-4	310	524	336	550	130	105	22.7	
5-5	341	609	367	635	150	125	25.5	
5-6	368	636	394	662	150	125	27.6	
5-7	395	663	421	689	150	125	28.5	
5-8	422	690	448	716	150	125	29.1	
5-9	465	783	491	809	164	127	37.3	
5-10	492	810	518	836	164	127	37.9	
5-11	519	837	545	863	164	127	39.4	
5-12	546	864	572	890	164	127	39.9	
5-13	573	891	599	917	164	127	40.5	
5-14	600	918	626	944	164	127	40.9	
5-15	627	945	653	971	164	127	41.5	
5-16	654	972	680	998	164	127	42.4	
5-18	712	1052	738	1078	186	120	49.9	
5-20	766	1106	792	1132	186	120	51.3	
5-22	820	1160	846	1186	186	120	54.2	
5-24	874	1214	900	1240	186	120	55.5	
5-26	928	1268	954	1294	186	120	58.2	
5-29	1009	1349	1035	1375	186	120	59.9	
5-36	-	-	1249	1648	210	142	95	

Note: B1 and B1+B2 of clamp connector and threaded connector are in compliance with that of DIN flange.

MODEL	POWER[kW]	Q[m³/h]	2.5	3.0	4.0	5.0	6.0	7.0	8.0	8.5
LVR(S)5-2	0.37	12	12	10	9	7	6	4	3.5	
LVR(S)5-3	0.55	19	18	16	15	12	10	8	6	
LVR(S)5-4	0.55	24	24	22	19	16	14	10.5	9	
LVR(S)5-5	0.75	31	30	28	24	22	18	15	12	
LVR(S)5-6	1.1	38	37	34	28	27	23	19	15	
LVR(S)5-7	1.1	44	42	40	32	32	27	22	19	
LVR(S)5-8	1.1	50	48	45	40	36	31	25	21	
LVR(S)5-9	1.5	59	56	53	47	44	37	31	26	
LVR(S)5-10	1.5	65	62	59	53	48	41	34	29	
LVR(S)5-11	2.2	73	70	66	59	54	47	38	35	
LVR(S)5-12	2.2	78	76	72	63	59	51	42	38	
LVR(S)5-13	2.2	85	82	78	68	64	55	45	40	
LVR(S)5-14	2.2	91	89	83	74	69	60	58	53	
LVR(S)5-15	2.2	98	95	89	79	74	63	52	46	
LVR(S)5-16	2.2	103	101	95	85	78	68	55	49	
LVR(S)5-18	3	118	115	109	98	90	78	65	58	
LVR(S)5-20	3	130	127	120	108	100	87	72	64	
LVR(S)5-22	4	145	142	134	120	112	97	80	72	
LVR(S)5-24	4	158	154	146	132	122	106	88	78	
LVR(S)5-26	4	170	166	157	145	132	115	95	85	
LVR(S)5-29	4	192	188	178	155	149	131	109	98	
LVR(S)5-36	5.5	226	222	209	195	172	147	120	104	

Available with: