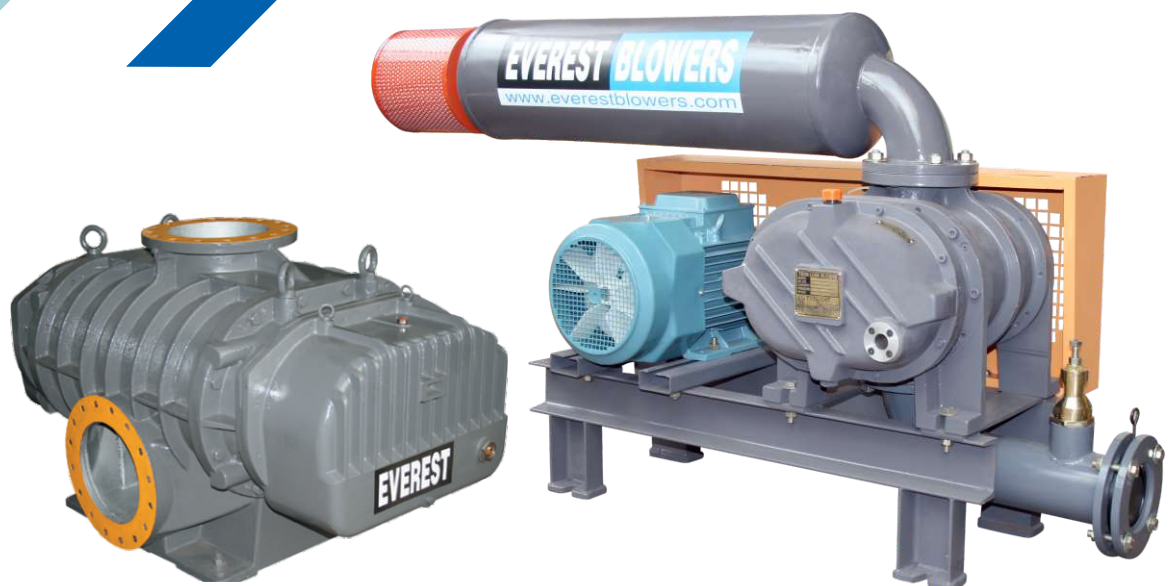


POSITIVE DISPLACEMENT BLOWERS & VACUUM PUMPS

TWIN LOBE & TRI-LOBE SERIES

CATALOGUE INCLUDES

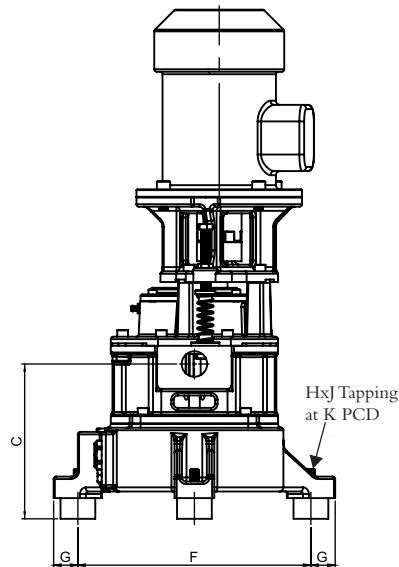
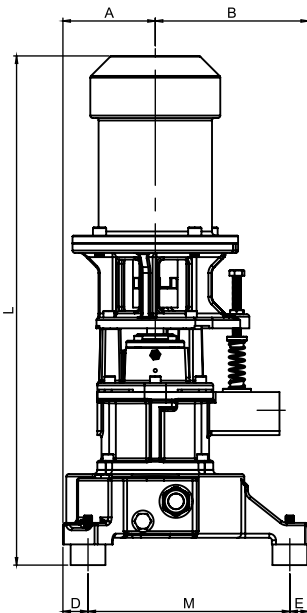
Twin-lobe Rotary Air Blowers | Compressors
Tri-lobe Rotary Air Blowers | Compressors
Tri-lobe Vertical Rotary Air Blowers | Compressors
Twin Lobe Rotary Gas Blowers | Compressors
Integral Gear Box Design - High Seppd Turbo Blowers
Multistage Centrifugal Blowers
Acoustic Hoods | Enclosures
Vacuum Pumps
Spares



PERFORMANCE TABLE TRILOBE ROTARY BLOWERS

AIR COOLED																	
MODEL	SPEED	1000 mmWC		2000 mmWC		3000 mmWC		4000 mmWC		5000 mmWC		6000 mmWC		7000 mmWC		8000 mmWC	
	RPM	m ³ /hr	BKW	m ³ /hr	BKW	m ³ /hr	BKW	m ³ /hr	BKW	m ³ /hr	BKW	m ³ /hr	BKW	m ³ /hr	BKW	m ³ /hr	BKW
ETL025	2850	26	0.3	23	0.4	20	0.5	18	0.6	16	0.7						

TRI-LOBE DIMENSIONS AND WEIGHT



**100%
OIL FREE
AIR BLOWER**



ETL025 VERTICAL AIR BLOWER

Model	A	B	C	D	E	F	G	H	J	K	L	M	WT. (KG)	Line size (NB)	Noise Level dB(A)	Orientation
ETL025	112	185	187	30	22.5	281	8	3	M10	325	615	244	42	25	85	HF

* Max. height of blower (From hook top to foot bottom or Blower Discharge top to foot bottom) Units: mm, Weight (WT.) : Blower weight in "Kg"
The above Noise Level are given considering Blower without Acoustic Hood at 1500 RPM and 4000 - 5000 mmWC