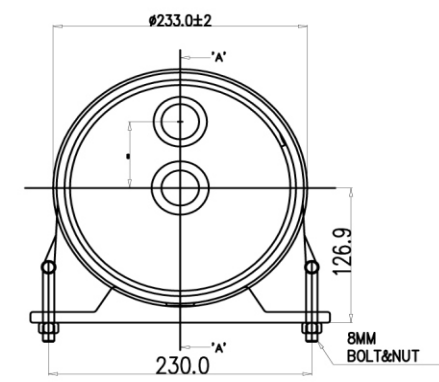
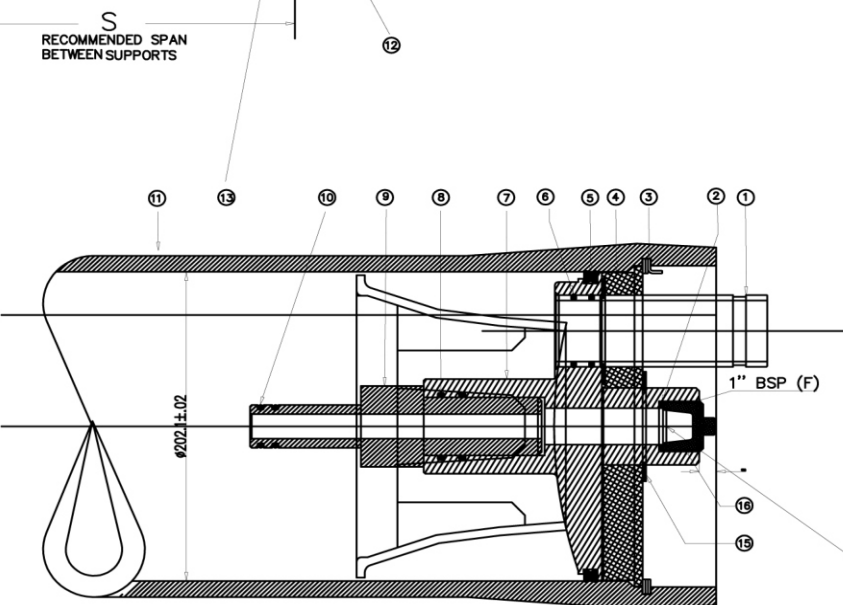


ITEM NO	DESCRIPTION	M O C
①	FEED/REJECT PIPE	316 STAINLESS STEEL
②	FLAT RUBBER WASHER	ETHYLENE PROPYLENE-O-RING
③	3TURN RETAINER RING	304 STAINLESS STEEL
④	BEARING PLATE	ALUMINIUM ALLOY
⑤	O RING (SEAL PLATE)	ETHYLENE PROPYLENE-O-RING
⑥	SS PIPE O RING	ETHYLENE PROPYLENE-O-RING
⑦	SEAL PLATE	ENGINEERING THERMOPLASTICS
⑧	O RING (MEMBRANE ADAPTER)	ETHYLENE PROPYLENE-O-RING
⑨	MEMBRANE ADAPTER	ENGINEERING THERMOPLASTICS
⑩	O RING (MEMBRANE)	ETHYLENE PROPYLENE-O-RING
⑪	PRESSURE VESSEL	F R P
⑫	SADDLE	ENGINEERING THERMOPLASTICS
⑬	STRAP	WITH RUBBER CUSHION SS316
⑭	THRUST RING	ENGINEERING THERMOPLASTICS
⑮	CIRCLIP	304 STAINLESS STEEL
⑯	PERMEATE PLUG	ENGINEERING THERMOPLASTICS



WARNING ; INTERNAL PORT PRESSURE MUST NOT EXCEED 125 PSI

★ ITEM NO 14 DOWNSTREAM ONLY

MODEL NO	NUMBER OF ELEMENTS	L in MM	S in MM	ASSEMBLY WEIGHT IN KG Approx
80 X 40	1	1472	676	15.0
80 X 80	2	2490	1656	21.0
80 X 120	3	3506	2674	27.0
80 X 160	4	4522	1845X2	33.0
80 X 200	5	5538	2355X2	39.0
80 X 240	6	6554	2865X2	45.0
80 X 280	7	7570	3300X2	51.0

1	DESIGN PRESSURE	300 P S I
2	FACTORY TEST PRESSURE WITH END CAP ASSEMBLY	450 P S I
3	MINIMUM OPERATING TEMPERATURE	-7 DEG C

NOTES ; VESSEL EXTERIOR COATED WITH WHITE, HIGH GLOSS POLYURETHANE PAINT

FILTRA CONSULTANTS AND ENGINEERS LTD.

Gala No. 2 & 3, Ground Floor, Neminath Industrial Estate No. 2, Navghar, Vasai (East), Dist.: Palghar - 401 219
 Tel.: +91 8691009127/26 Email: filtraw@gmail.com Website: www.ewatertreatmentindia.com

