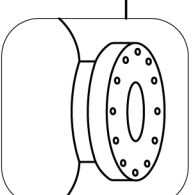
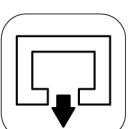
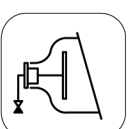




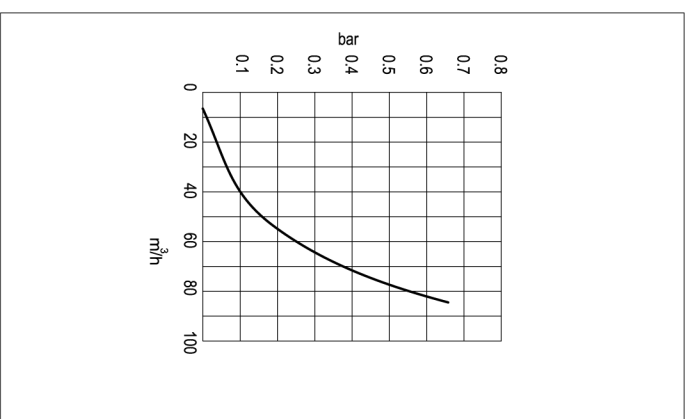
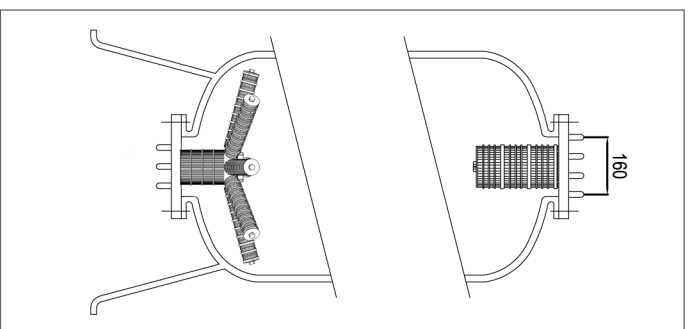
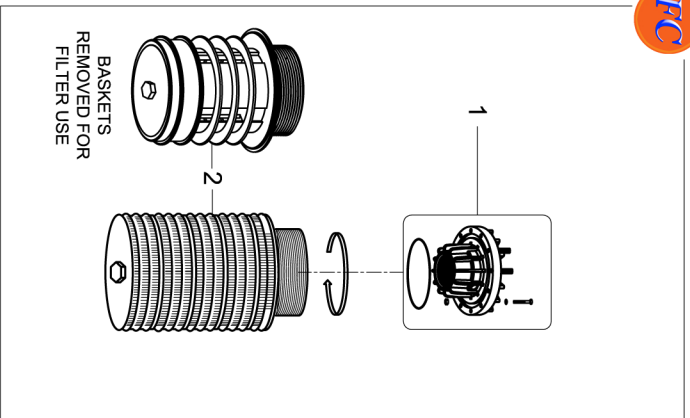
42" / 48"



6" Flange



DN80



Item	Description	Dimension	Qty.	Material
1	type ADT 6" (42" / 48")	DN 80	1	PVC+SS+EPDM
2	type R3-0.2-3" BSP-265	3" BSP	1	PP



THIS INFORMATION IS BASED ON OUR PRESENT STATE OF KNOWLEDGE AND IS INTENDED TO PROVIDE GENERAL NOTES ON OUR PRODUCTS AND THEIR USES. IT SHOULD NOT THEREFORE BE CONSIDERED AS A GUARANTEEING SPECIFIC PROPERTIES OF THE PRODUCTS OR THEIR SUITABILITY FOR A PARTICULAR APPLICATION.