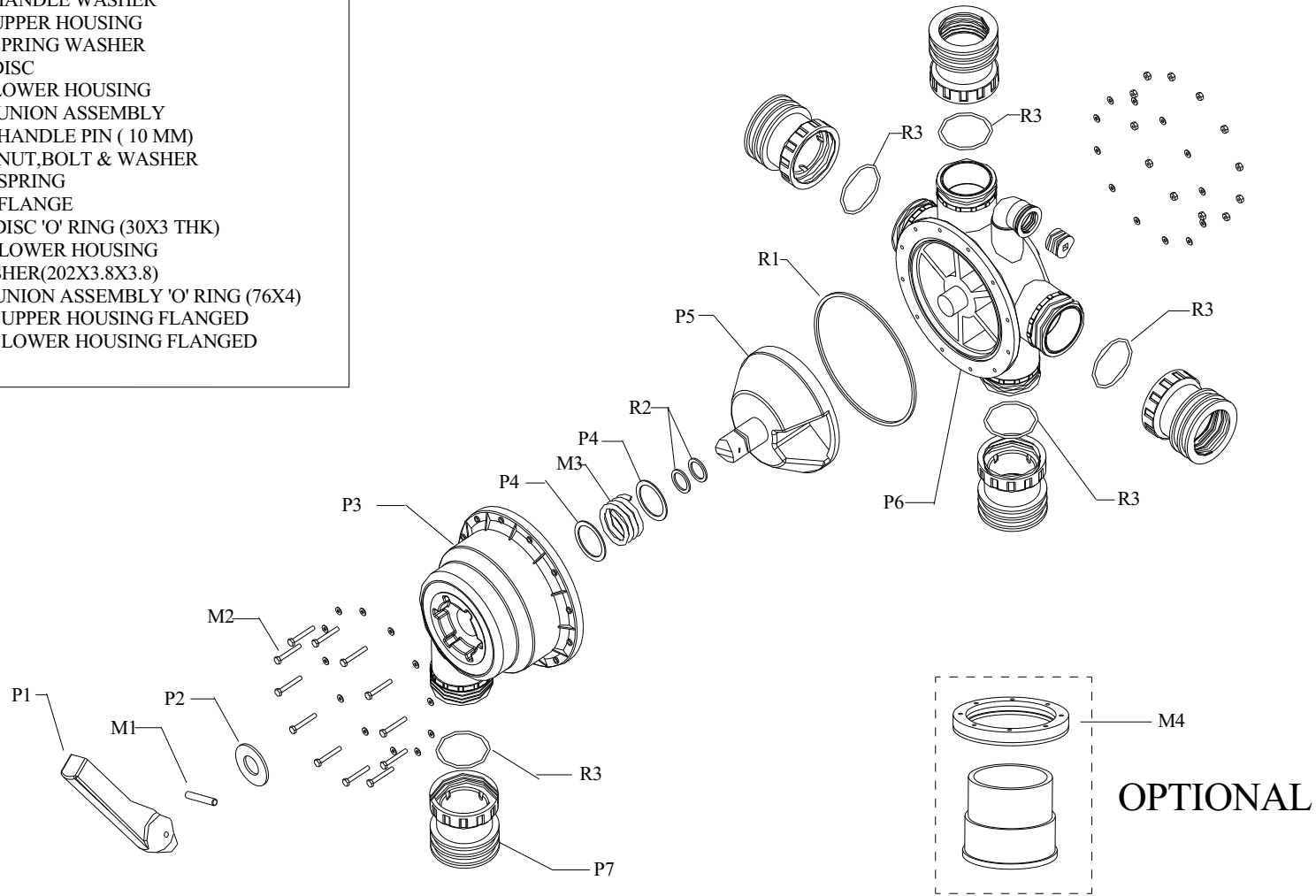


65 NB MULTIPORT VALVE - SIDE MOUNT FOR SOFTNER / FILTER

For Flange Type MPV
 FLANGE :-OD- 133MM
 (INLET / OUTLET / DRAIN) P.C.D -111 MM
 8 HOLES FOR M6 BOLTS
 EJECTOR POWER WATER

FOR UNION TYPE MPV
 INLET/OUTLET/DRAIN : 2 1/2" BSPF
 EJECTOR POWER WATER

- P1- HANDLE
- P2- HANDLE WASHER
- P3- UPPER HOUSING
- P4- SPRING WASHER
- P5- DISC
- P6- LOWER HOUSING
- P7- UNION ASSEMBLY
- M1- HANDLE PIN (10 MM)
- M2- NUT,BOLT & WASHER
- M3- SPRING
- M4- FLANGE
- R1- DISC 'O' RING (30X3 THK)
- R2- LOWER HOUSING WASHER(202X3.8X3.8)
- R3- UNION ASSEMBLY 'O' RING (76X4)
- P3F- UPPER HOUSING FLANGED
- P6F- LOWER HOUSING FLANGED



65 NB EXPLODED VIEW