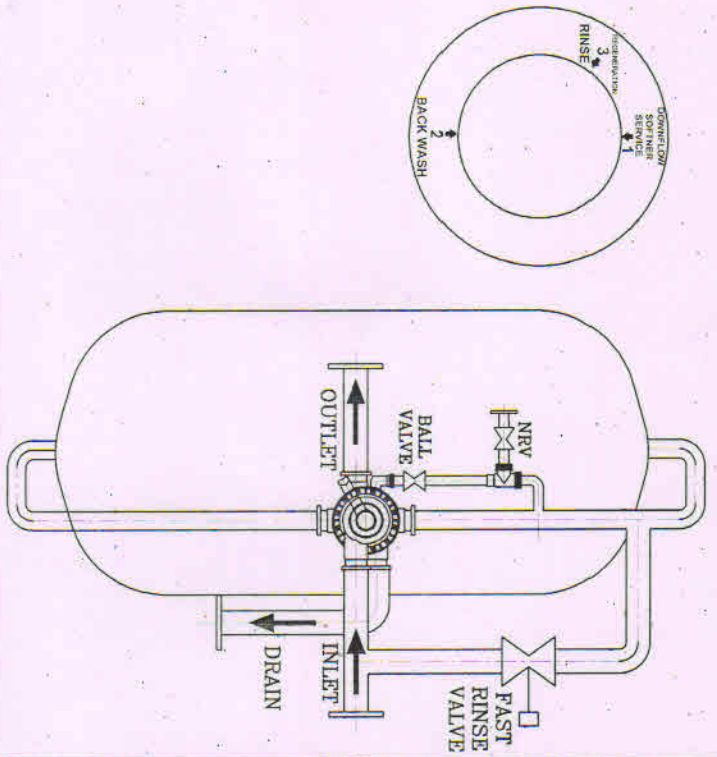
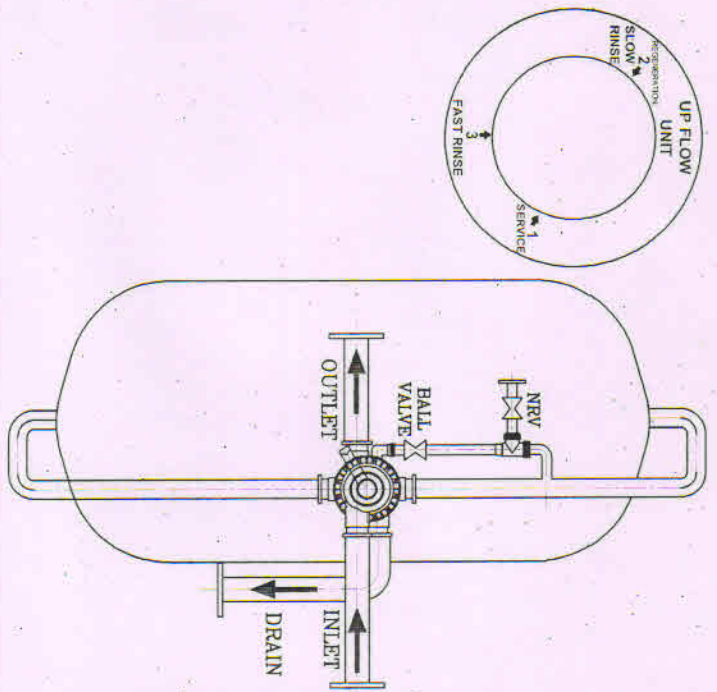


65NB MULTIPORT VALVE GENERAL ASSEMBLY

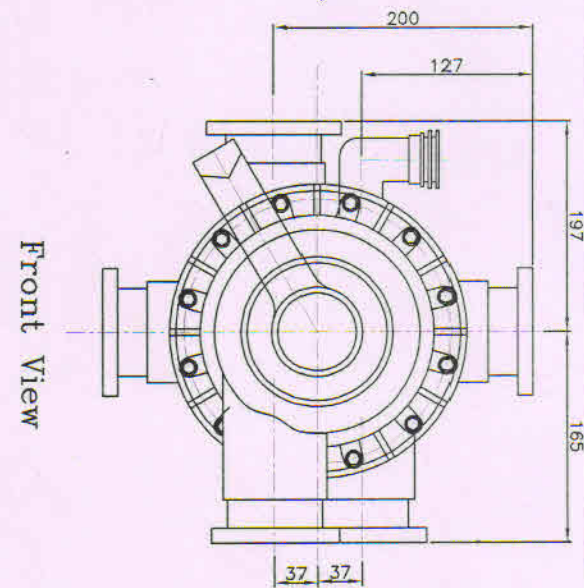
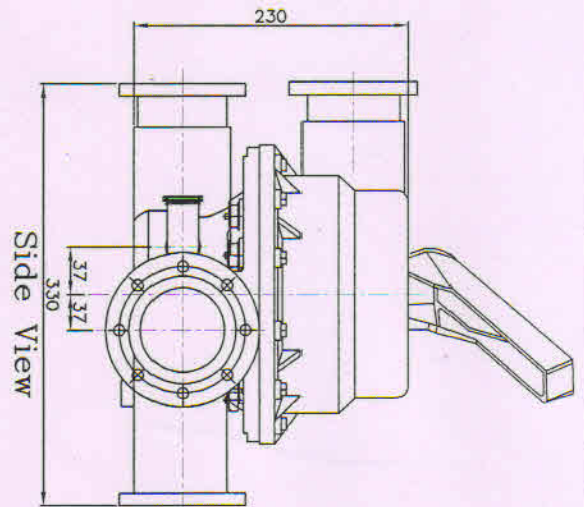
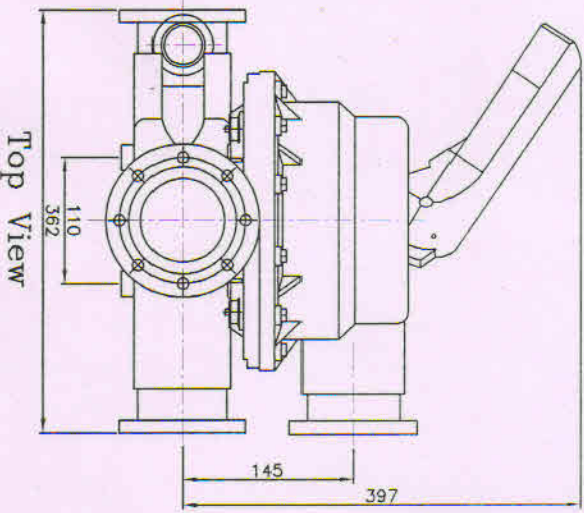
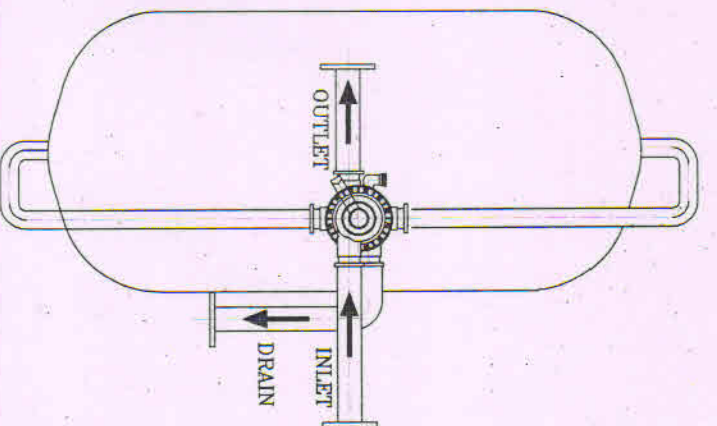
DOWN FLOW SOFTENER



UP FLOW SOFTENER

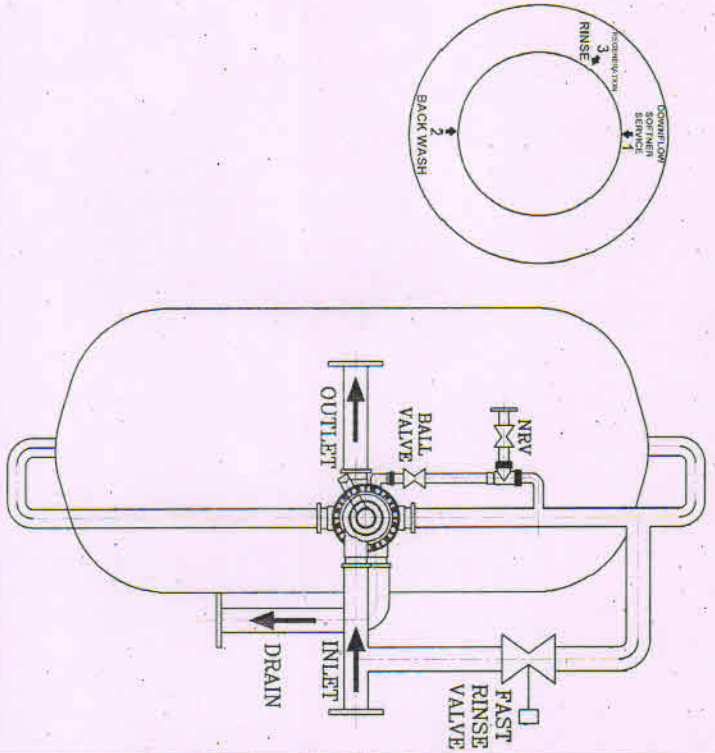


FILTER

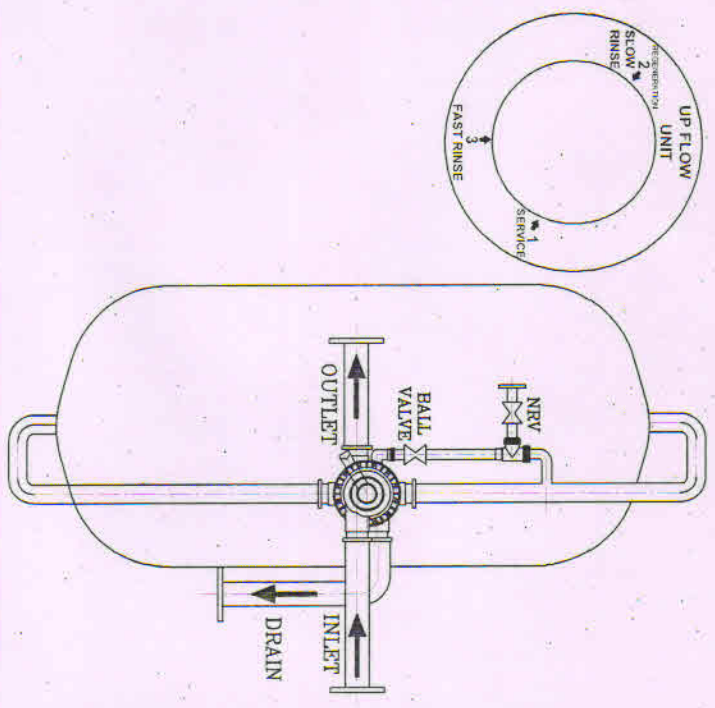


65NB MULTIPORT VALVE GENERAL ASSEMBLY

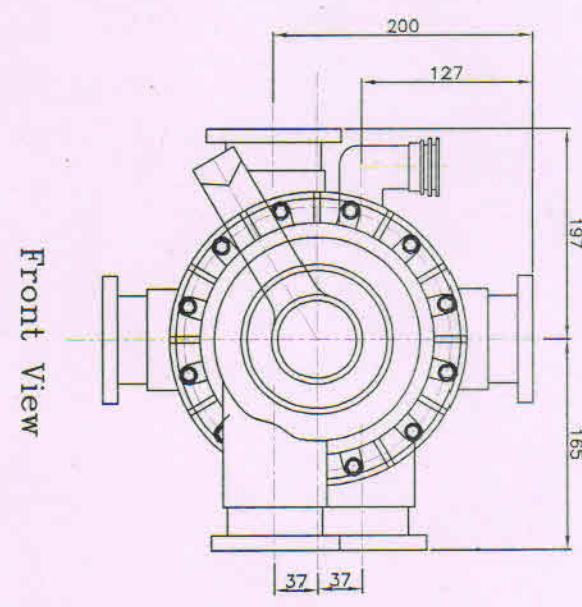
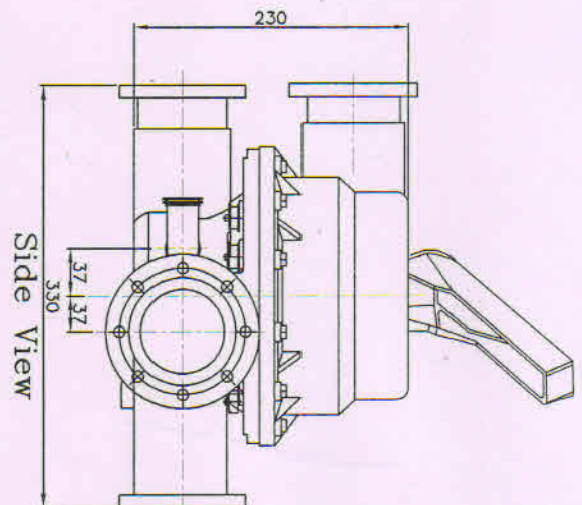
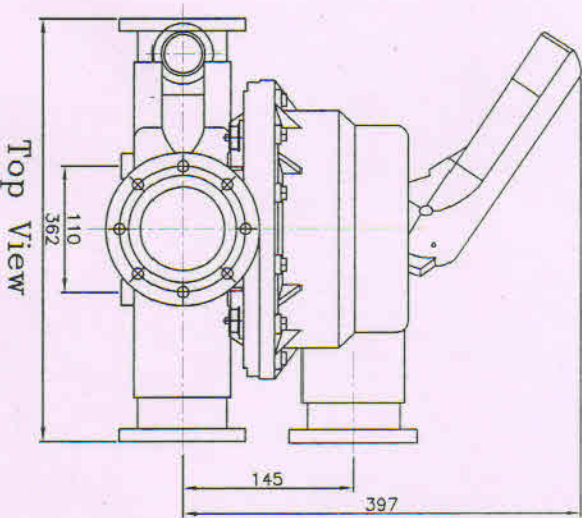
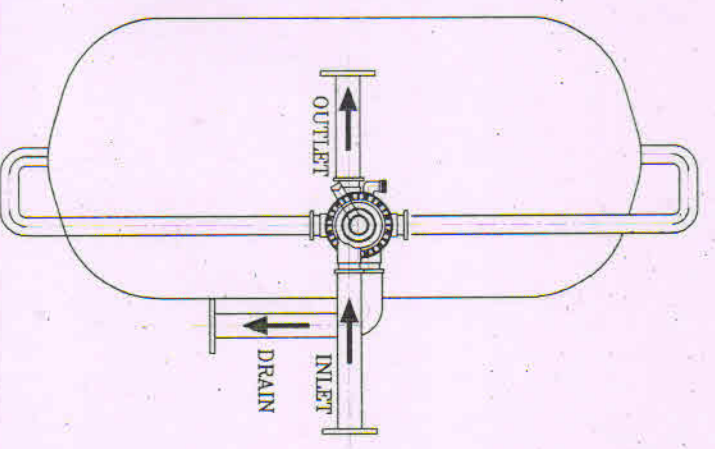
DOWN FLOW SOFTENER

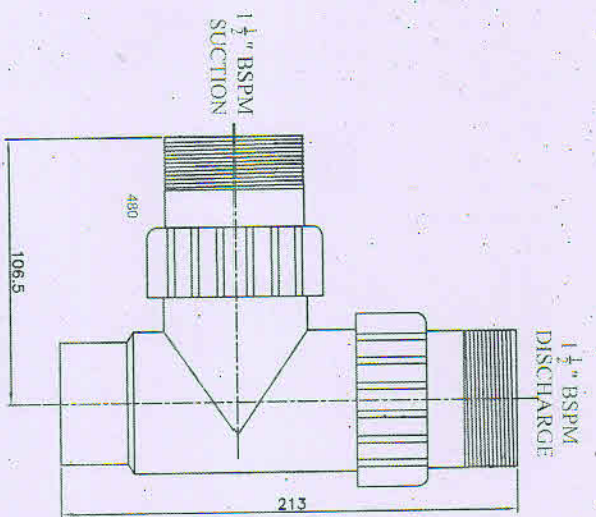
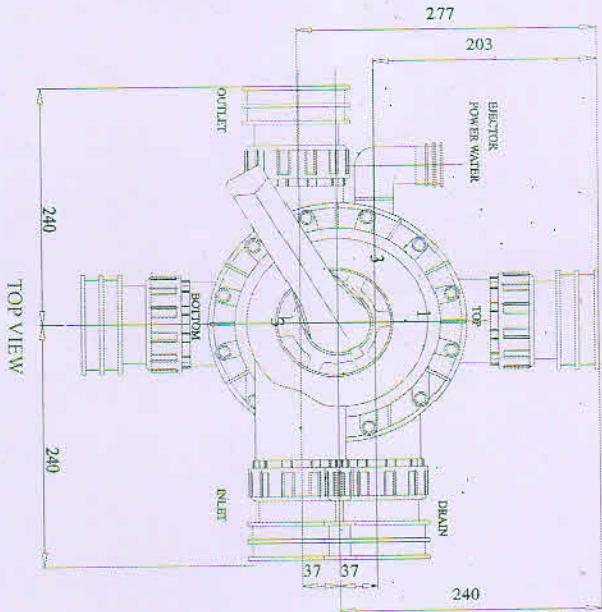
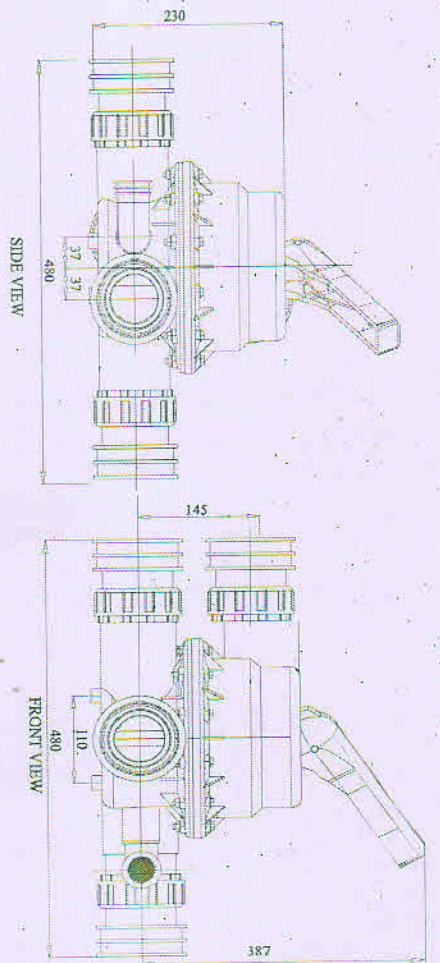


UP FLOW SOFTENER



FILTER



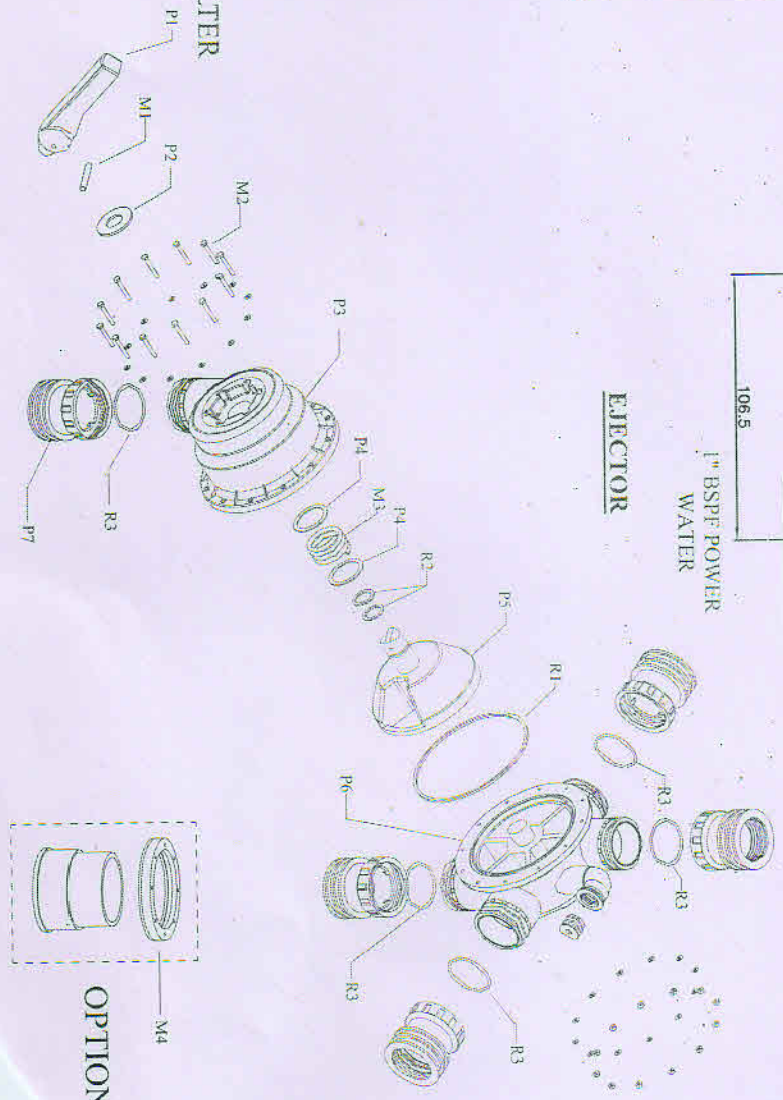


- P1 - HANDLE
- P2 - HANDLE WASHER
- P3 - UPPER HOUSING
- P4 - SPRING WASHER
- P5 - DISC
- P6 - LOWER HOUSING
- P7 - UNION ASSEMBLY
- M1 - HANDLE PIN (10 MM)
- M2 - NUT, BOLT & WASHER
- M3 - SPRING
- M4 - FLANGE
- R1 - DISC 'O' RING (30X30 THK)
- R2 - LOWER HOUSING WASHER (202X3.8X3.8)
- R3 - UNION ASSEMBLY FLANGED P3F - UPPER HOUSING FLANGED P6F - LOWER HOUSING FLANGED

65 NB MULTIPORT VALVE - SIDE MOUNT FOR SOFTNER / FILTER

For Flange Type MPV
 FLANGE: -OD- 133MM
 (INLET / OUTLET / DRAIN) P.C.D.-111 MM
 8 HOLES FOR M6 BOLTS
 EJECTOR POWER WATER

FOR UNION TYPE MPV
 INLET/OUTLET/DRAIN : 2 1/2" BSPF
 EJECTOR POWER WATER



65 NB EXPLODED VIEW

OPTIONAL