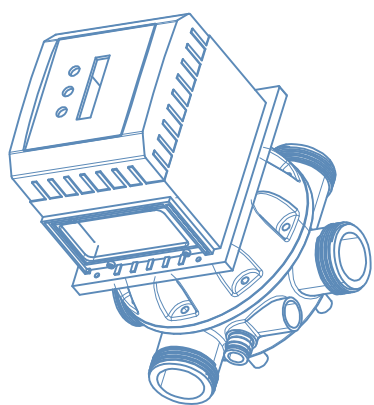
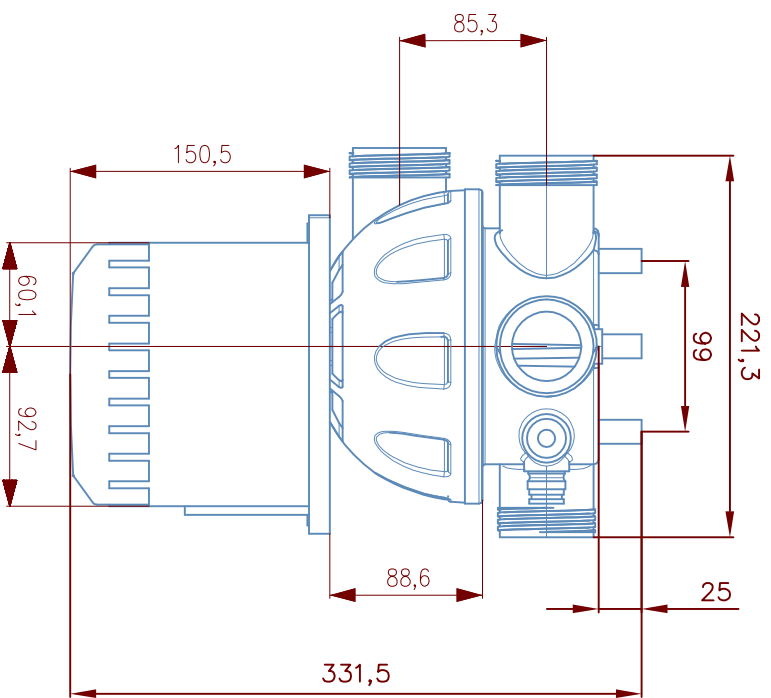
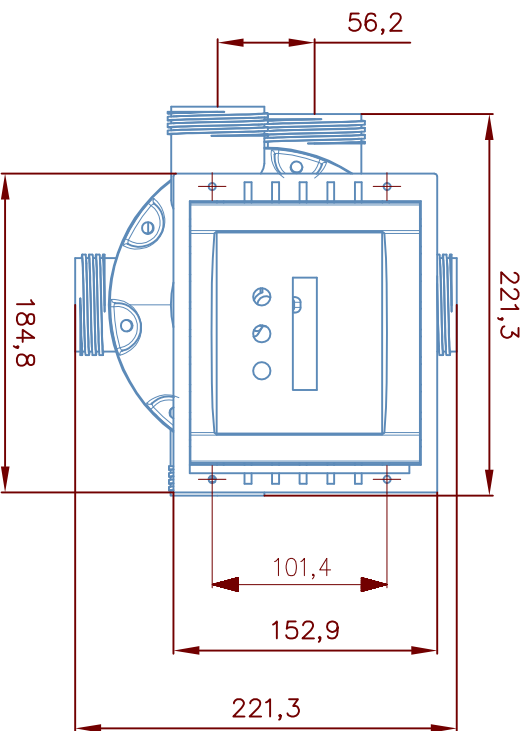


This Drawing is the property of Initiative Eng. and shall not be copied or used in any way without their prior permission



Revision No	Date	Modification	Modified By	Checked	Approved
A0	21/01/2019				
Drawn	SWAPNIL P	21/01/2019			
Checked	R.C/V/P	21/01/2019			
Approved	R.C/V/P	21/01/2019			
Component Name: -	40NB AUTOVALVE GA		Projection:		
Scale: -	1:1	Sheet: 1 of 1	Project: -	40NB EVOLVE	Drawing No. -

