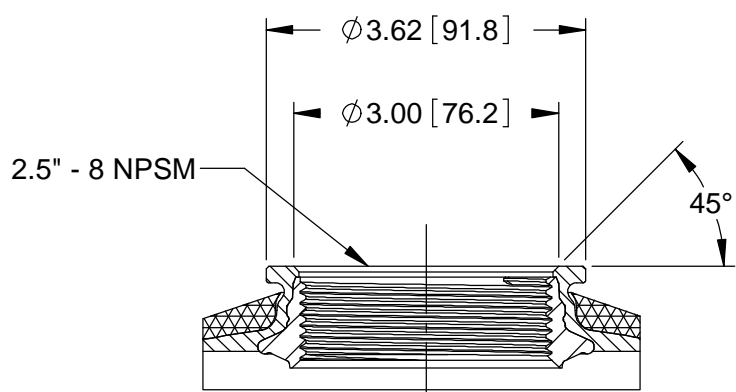
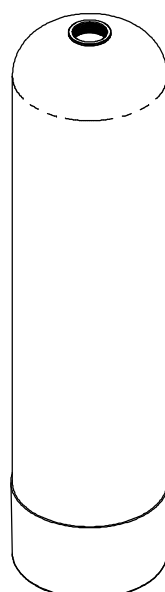


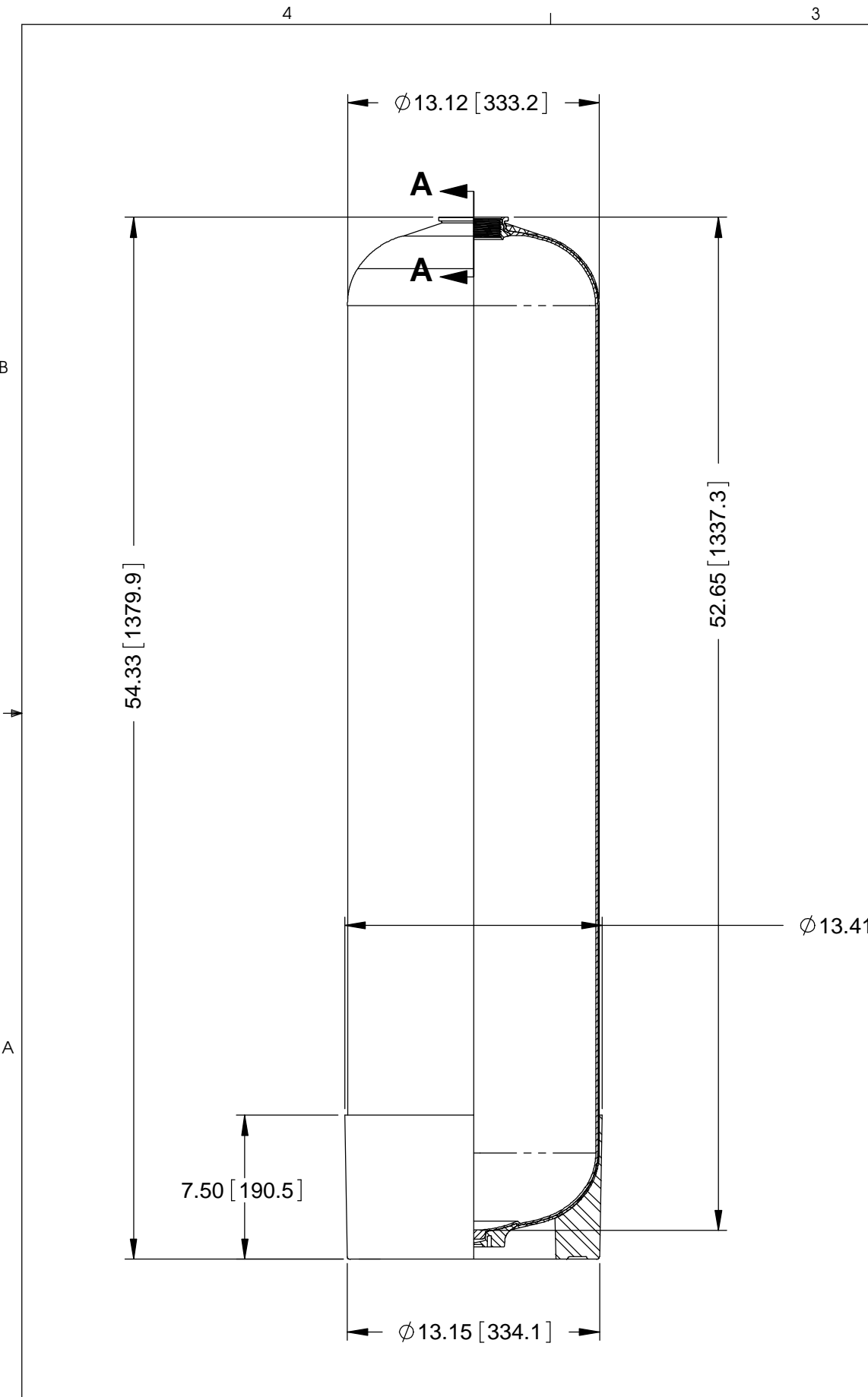
REVISIONS					
ZONE	ECN	REV.	DESCRIPTION	DATE	APP'D
		B	CHANGE TO UI DESIGN W/ PPAP RESULTS	12/17/08	ILD



SECTION A-A
SCALE 1 : 2

MAX OPERATING PRESSURE	150 psig	[1034 kPa]
MAX OPERATING TEMPERATURE	120 °F	[49 °C]
TANK VOLUME	27.0 gal	[102.2 L]
DOMES VOLUME	1.4 gal	[5.3 L]
TANK WEIGHT WITH BASE	20.2 lb	[9.2 kg]

1. NOT SUITABLE FOR PNEUMATIC PRESSURE APPLICATIONS.
2. TANK ELONGATES UP TO .25 [6.4] AT MAXIMUM OPERATING PRESSURE. FLEXIBLE CONNECTIONS ARE RECOMMENDED TO PREVENT DAMAGE TO THE TANK OR PIPING.
3. TANK IS RATED FOR AN INTERNAL NEGATIVE PRESSURE OF 5.0 [127] OF Hg VACUUM. HIGHER VACUUM VALUES MUST BE PREVENTED WITH AN ADEQUATE VACUUM BREAKER
4. MINIMUM CLEARANCE OF 48.0 [1219.2] ON TOP REQUIRED FOR PIPING AND MANEUVERING.
5. ALL DIMENSIONS ARE APPROXIMATE.



LAST SAVED IN SMARTTEAM: 12/17/2008 13:57

CRITICALITY SYMBOLS PER QPSP-001.2

□ LEVEL I ■ LEVEL II ■ LEVEL III

THIS DOCUMENT IS SOLELY THE PROPERTY OF PENTAIR WATER TREATMENT. REPRODUCTION, USE DISCLOSURE, OR TRANSMISSION OF THIS DOCUMENT OR DETAILS CONTAINED HEREIN, IN PART OR IN WHOLE, IS PROHIBITED WITHOUT THE WRITTEN CONSENT OF PENTAIR WATER TREATMENT ENGINEERING. THIS DOCUMENT AND ANY COPIES SHALL BE RETURNED TO PENTAIR WATER TREATMENT UPON WRITTEN REQUEST.

DO NOT SCALE DRAWING. DIMS. ARE IN INCHES [mm]
 INTERPRET DIMS AND TOLERANCES PER ASME Y14.5M -1994
 UNLESS OTHERWISE SPECIFIED:
 CORNER FILLETS R.005-.020 [.127-.508]
 TOLERANCES:
 ANGLES : ± 1°
 1 PLACE .X: ± .015 [0.38]
 2 PLACE .XX: ± .01 [0.3]
 3 PLACE .XXX: ± .005 [0.13]

THIS DRAWING MUST BE COMPARED TO THE ERP SYSTEM TO ENSURE CORRECT REVISION LEVEL PRIOR TO USE.

THIRD ANGLE PROJECTION						Pentair Water Chardon 220 PARK DRIVE CHARDON, OH 44024 USA	
APPROVALS	DATE	TITLE				SIZE	REV
DRAWN	ILD	13X54 PG TANK w/ COMP BASE 2.5" TOP INLET				B	B
CHECKED		DWG NO.				CHSK-5209	
APPROVED	ILD	SCALE	SOLIDWORKS FORMAT	SHEET 1 OF 1			
	12/17/08	1:7					